



## GaN-based UV photodiode

Model: GT-ABC-XL

### General Features:

- 
- 
- 
- 
- 

### Applications:

### Specifications:

| Parameters | Symbol | Value | Unit |
|------------|--------|-------|------|
|------------|--------|-------|------|

#### Maximum ratings

#### General characteristics (25 °C)

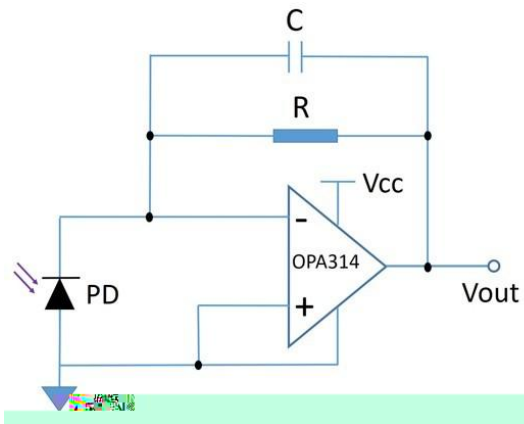




## GaN-based UV photodiode

Model: GT-ABC-XL

### Application circuit:



$$V_{out} (V) = I_{ph} (A) \times R (\Omega)$$

$$I_{ph} (A) = R_{\lambda} (A/W) \times A (cm^2) \times P (W/cm^2)$$

where A is chip area, P is incident UV power density and  $R_{\lambda}$  is responsivity at specific wavelength.

### Evaluation circuit board:

