



:

- UVA+UVB+UVC
- P ac a
- SMD 3535 c a c ac a c c a
- G a b
- H a a c
a ca , a a a



O a a a	T	-25-100	C
S a a a	T	-40-110	C
S a (3)	T	260	C
R□			



M

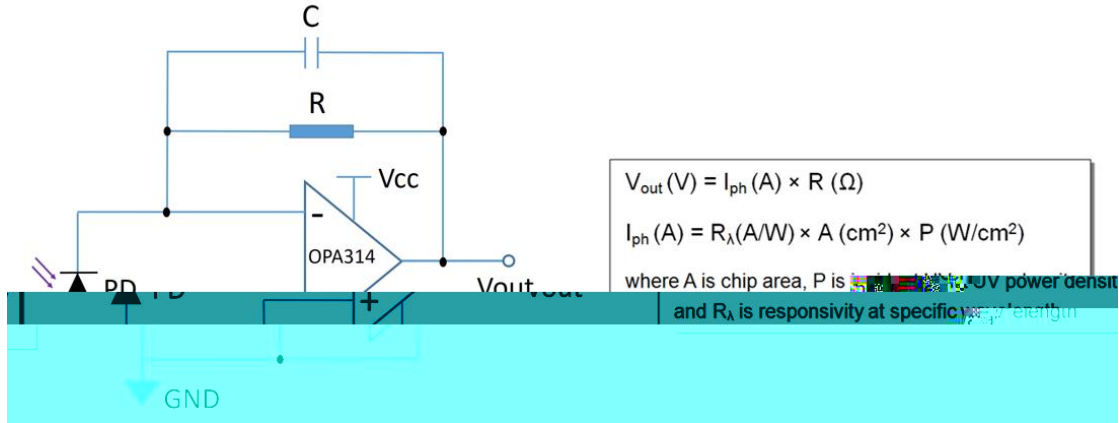
G N

I

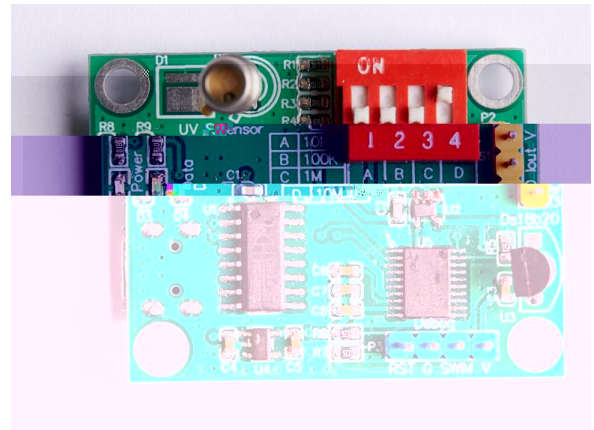
C



:



A a c a a b a
 a a ca b a a . T
 a a b a a c a
 b SMD- a TO- ac a UV
 b GaN O . U c
 c UV
 a a , b
 b a a .



T a a b a a a a c a a c .
 D a c c a a c a , c
 a ca a a c c c . A a b a
 b a c a .

T UV a a b a a b a a a ac . A a
 ac a a a c UV a , a ac
 a c ca PC c a . A bac c -USB
 a ac PC USB cab c c . U c a c ca
 a PC c c a a a a b a .

F a a b a , a :// . a - .c , a ca
 b a , a a a a ab GaN O UV ca
 b . N :T b a a .