



## SiC-based UV photodiode

Model ST-ABC-L

### General Features:

- Broad band UVA+UVB+UVC photodiode
- Photovoltaic mode operation
- TO-46 metal housing
- Good visible blindness
- High responsivity and low dark current

**Applications:** UV index monitoring, UV radiation dose measurement, flame detection

### Specifications:

Parameters	Symbol	Value	Unit
<b>Maximum ratings</b>			
Operation temperature range	$T_{opt}$	-55-200	°C
Storage temperature range	$T_{sto}$	-55-200	°C
Soldering temperature (3 s)	$T_{sol}$	260	°C
Reverse voltage	$V_{r-max}$	-20	V
<b>General characteristics (25 °C)</b>			
Chip size	A	1	mm <sup>2</sup>
Dark current ( $V_r = -5$ V)	$I_d$	<10	pA
Temperature coefficient (@265nm)	$T_c$	0.065	%/°C
Capacitance (at 0 V and 1 MHz)	$C_p$	97	pF
<b>Spectral response characteristics (25 °C)</b>			
Wavelength of peak responsivity	$\lambda_p$	275	nm

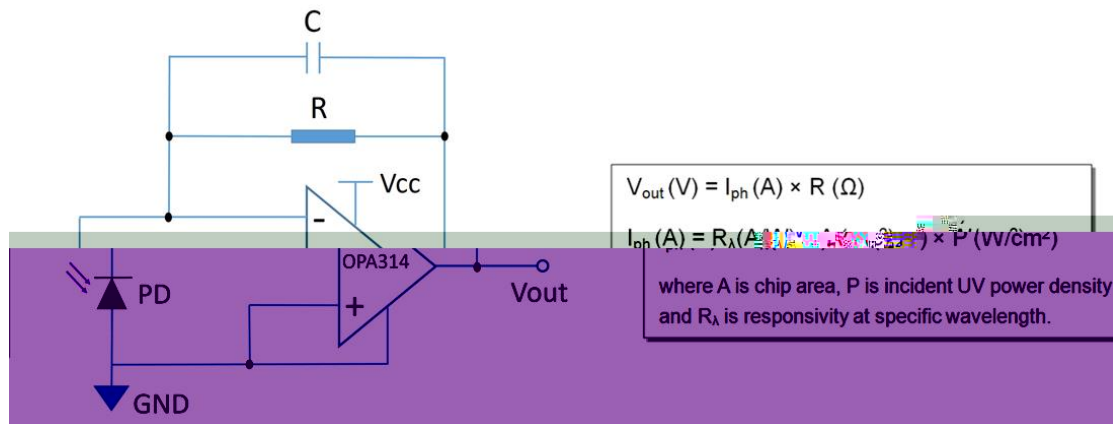
Peak responsivity (at 275nm) 0.0172.264 304



## SiC-based UV photodiode

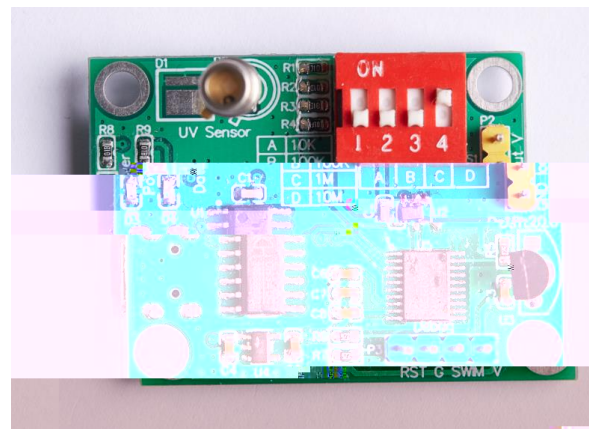
Model ST-ABC-L

### Application circuit:



### Evaluation circuit board:

A small multifunctional amplifier board for developers to simplify and support application development can be separately provided. The evaluation board with one amplifier channel supports both SMD- and TO-type packaged UV photodiodes supplied by GaNo Opto. Users could select one of the two mounting ports for UV photodiode evaluation, while both ports should not be used at the same time.



The evaluation board supports measurement range adjustment function via a dip switch. Different setting of the dip switch corresponds to different load resistance value, which determines the amplification magnitude of the signal processing circuit. A temperature sensor on board is used for embedded temperature compensation.

The UV photodhC B v(m)-7(per)13(at)4(ur)14(e )4(co)11(m)-7(p0311m70(ur)14(e )4(co)11(m)-7(p0311m9 )